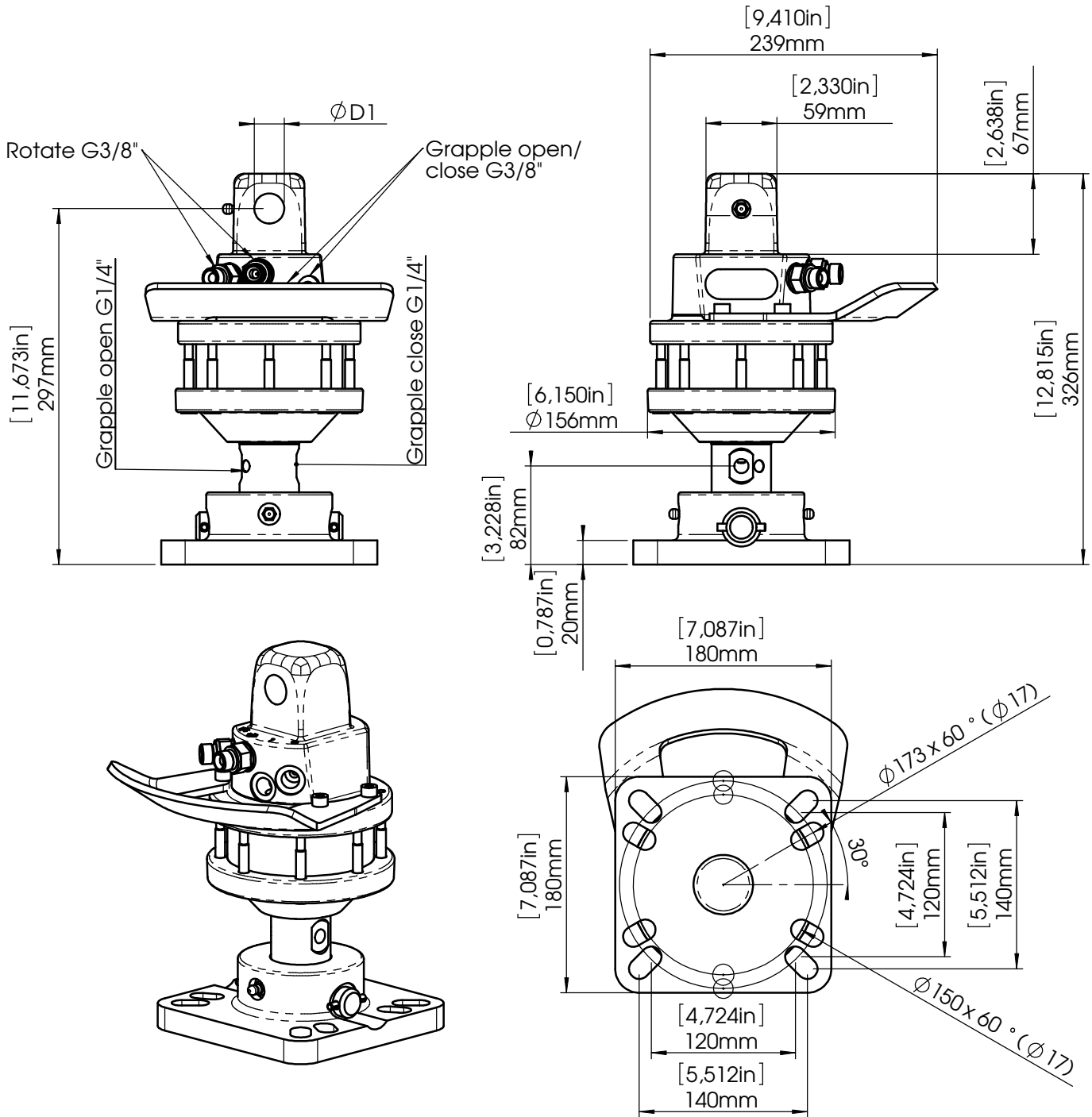
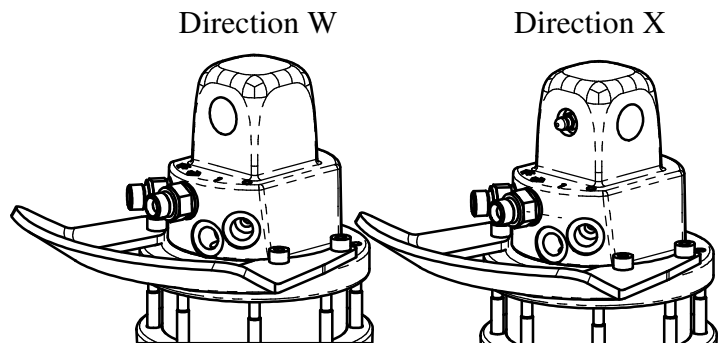


# Rotator FR 7 BM



FR 7 BM	
Rotation angle	Unlimited
Max. working pressure	200 bar
Displacement	300 cm <sup>3</sup>
Torque (200 bar)	780 Nm
Max. axial force	30 kN
Safe working load	2000 kg
Weight	22 kg



Basic models				
Item	Name	Direction	D1	Flange
17044	FR 7-X24BM	X	24	BM
17045	FR 7-X25BM	X	25	BM
17046	FR 7-W25BM	W	25	BM

Flange connections: D150 x 6, D173 x 6, 120x120, 140x140